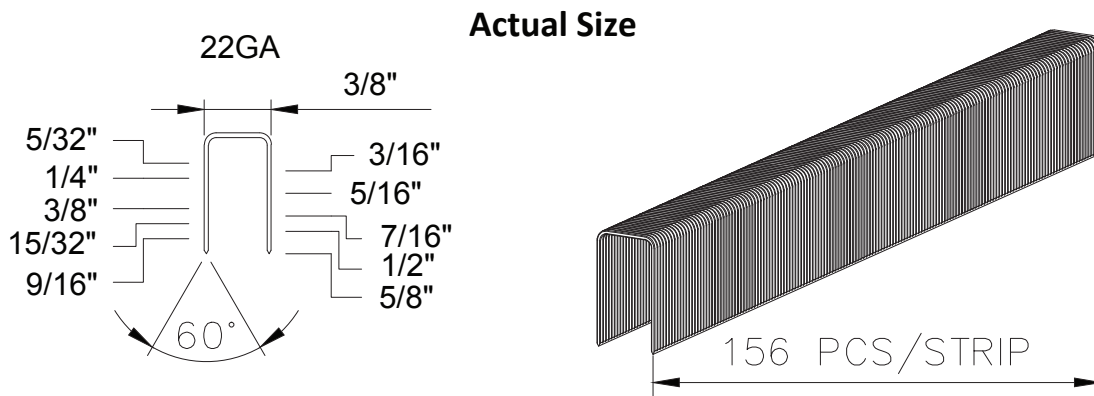


FINE-WIRE STAPLES

22 Gauge, 3/8" Crown, C-Series Fine Wire Staples (71 Series)

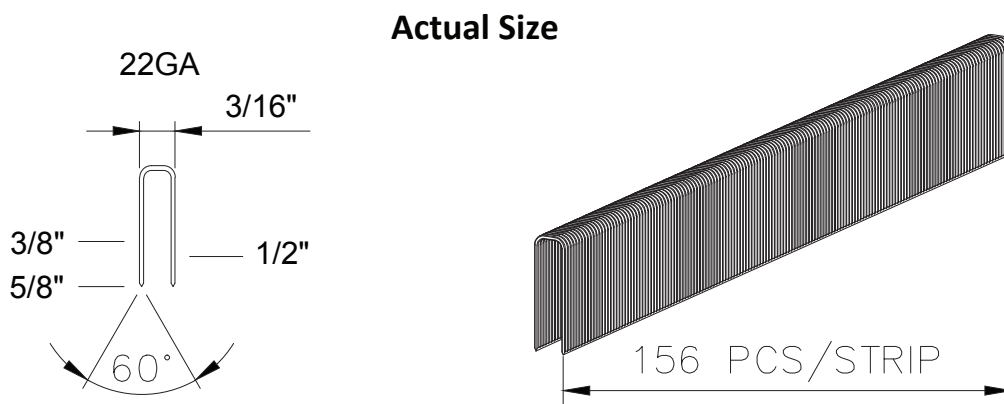
Use with the following UNICATCH tools: USAT71/16 Series & USATA71/16 Auto Series

ITEM#	DESC.	LENGTH	WT/CTN (LBS)	M/BX	BXS/CTN	PLT Q'TY (BY CARTONS)	LIST PRICE	
							PER/M	PER/CTN
87706	C02	5/32"	21	10	20	100	\$0.43	\$85.00
87710	C05	3/16"	23	10	20	100	\$0.45	\$90.00
87712	C06	1/4"	25	10	20	90	\$0.48	\$96.00
87715	C08	5/16"	29	10	20	84	\$0.50	\$99.00
87717	C10	3/8"	34	10	20	72	\$0.51	\$102.00
87720	C11	7/16"	39	10	20	66	\$0.54	\$108.00
87722	C12	15/32"	40	10	20	66	\$0.55	\$110.00
87727	C13	1/2"	42	10	20	63	\$0.56	\$112.00
87737	C16	5/8"	30	10	12	72	\$0.62	\$74.00



22 Gauge, 3/16" Crown, A-Series Staples (Senco Style)

ITEM#	DESC.	LENGTH	WT/CTN (LBS)	M/BX	BXS/CTN	PLT Q'TY (BY CARTONS)	LIST PRICE	
							PER/M	PER/CTN
87545	AS-10 (A06)	3/8"	36	10	25	64	\$0.38	\$95.00
87550	AS-13 (A08)	1/2"	38	10	20	60	\$0.52	\$104.00
87555	AS-16 (D10)	5/8"	40	10	18	60	\$0.61	\$110.00



****Stainless steel available on special order. Please call for quote and availability****